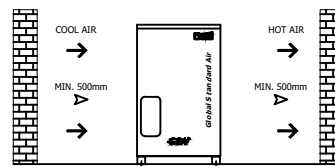
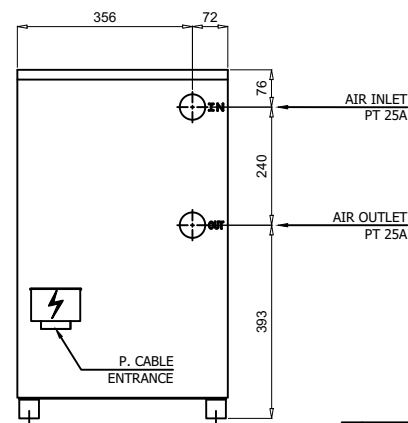
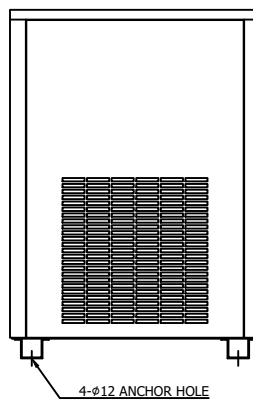
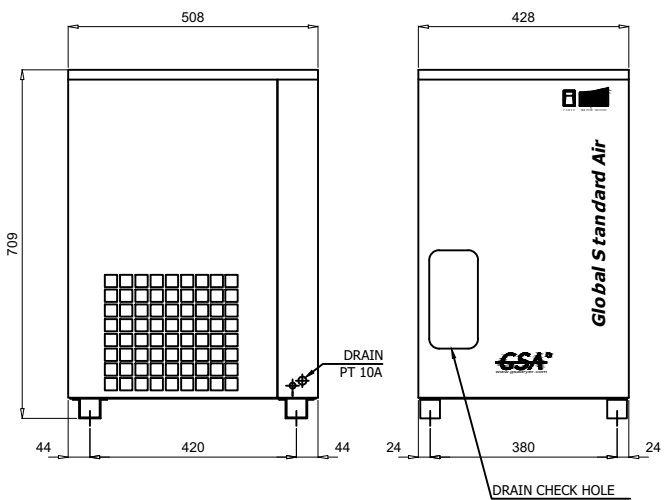
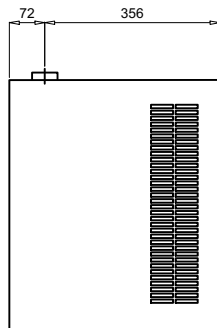
	Refrigerated Air Dryer		Rev.	Date	Prepared By	Checked By	Approved By
			1	2019.01.15	LEE.S.M.	JO.S.J.	KIM.H.W.
	Air Cooled Type		2				
			3				
4							
Project Name			-		Model Name		HYD-20N
SPECIFICATION							
1							
2	Supply Voltage	220V	Inlet Flow Rate	2.6	Nm3/min		
3	Phase	1PH	Inlet Pressure	7	barg		
4	Frequency	60Hz	Inlet Temp.	38	°C		
5	Control use	220V	Outlet Flow Rate	2.6	Nm3/min		
6	Fulid	Compressed Air	Outlet Pressure	6.8	barg		
7	Location	Indoor	Outlet Temp.	28±5	°C		
8	Design Code	Maker STD.	Pressure Drop	0.2	bar		
9	Area Class	Non-Hazardous	Outlet Dew Point	2~10	°C		
10			Design Pressure	14	barg		
11			Design Temperature	70	°C		
12			Ambient Temperature	32	°C		
CONSTRUCTION							
13							
14	Refrigerant	R-134A	Dimension (W x L x H)	424 X 504 X 709	mm		
15	Ref. Compressor Type	Recipro Hemertic	Weight	45	kg		
16	Ref. Compressor Capacity	3/8 HP	Power Consumption	0.51	kW		
17	Condenser Type	Air Cooled	Inlet Connection	25A	PT Female Screw		
18	Condenser Fan Motor	9 W	Outlet Connection	25A	PT Female Screw		
19		1 EA	Drain Connection	15A	PT Female Screw		
20	Condenser Fan Size	230 mm	Color (Munsell)	5.7PB 4.1/9.9			
21	Condenser Capacity	1/3 HP		5.7PB 2.9/3.5			
22	Condenser Material	Aluminum & Copper					
23	Heat Exchanger Type	Block					
24	Heat Exchanger Material	Aluminum					
25	Ref. Control Device	Capillary Tube					
26	Temp. Control Device	Hot Gas Bypass Valve					
27	Drain Trap Type	Auto Float					
STANDRAD FEATURES AND CONTROL							
28							
29	Fan Control Switch	YES	Ref. Compressor	YES			
30	Ref. Liquid Filter Dryer	YES	Capillary Tube	YES			
31	Overload Relay	NO	Hot Gas Bypass Valve	YES			
32	PCB Controller	NO	Air Cooled Condenser	YES			
33	Fan Motor Test Button	NO	Accumulator	NO			
34	Air Pressure Gauge	NO	Liquid Ref. Receiver	NO			
35	Ref. Pressure Gauge	NO	Oil Separator	NO			
36	High Pressure Switch	NO	Circuit Breaker	NO			
37	Moisture Indicator	NO	Ref. Compressor Heater	NO			
38	Drain	YES					
NOTES							
39							
40							
41							
42							
43							
44							
45							
46							

10-N0200-GAH-VSS (ON DWG)

COOLING AIR DIRECTION



SPECIFICATION	
INLET AIR TEMPERATURE	38°C
AMBIENT TEMPERATURE	32°C
INLET AIR PRESSURE	7 barg
CAPACITY	2,6 Nm ³ /min
IN/OUT CONNECTION	PT 25A
DIMENSION(WXDXH, mm)	428 X 508 X 709
WEIGHT	45 kg
POWER CONSUMPTION	0.51 kW
POWER SUPPLY	220V - 1PH - 60Hz

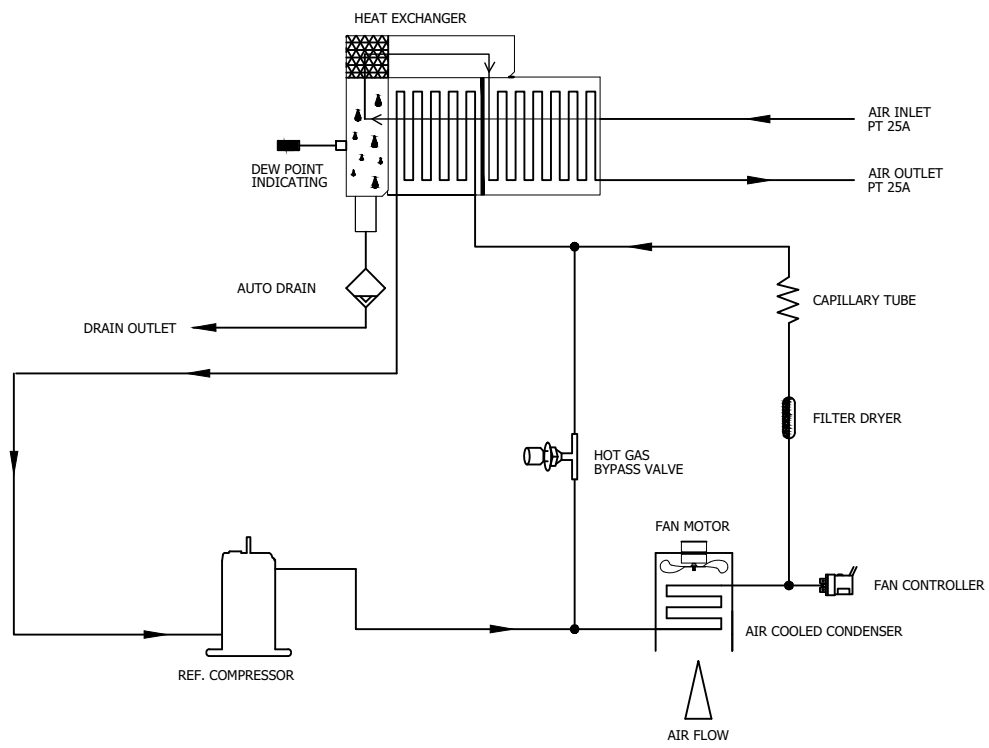


REV.	DATE	DESCRIPTION	DWG	CHK	APPD	APPD
1	2018. 11. 26	ISSUED FOR REFERENCE				
PROJECT						
MANUFACTURER						
TITLE						
OUTLINE DRAWING						
ITEM NO.	HYD-ZON	DWG NO.		REV.		
SCALE	NONE	GSA-HYD-0020N-01				


(A4: 297mm x 210mm)

Z0-N0200-QAH-YSS
ON DWG

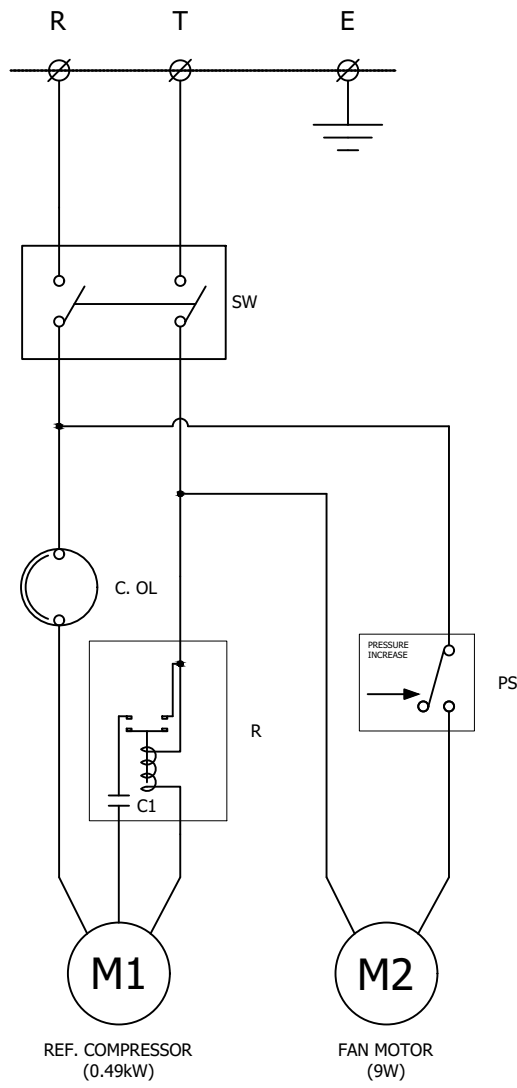
DEW POINT	2~10°C @ FDP		
INLET AIR PRESSURE	7.0 BARG		
INLET AIR TEMPERATURE	38°C		
CAPACITY	2.6 Nm ³ /min		
9	CAPILLARY TUBE	1	
8	HGBV	1	
7	AUTO DRAIN	IN : PT 15A / OUT : 6A	
6	HEAT EXCHANGER	20 HP	
5	FILTER DRYER	1/4"	
4	FAN CONTROLLER	7 ~ 12 BARG	
3	FAN MOTOR	9W 4P ø230	
2	A/C CONDENSER	1/3 HP (CONDENSING CAPACITY)	
1	REF. COMPRESSOR	3/8 HP (COOLING CAPACITY)	
NO.	PART NAME	DESCRIPTION	QTY



- ← AIR INLET LINE
- AIR OUTLET LINE
- ← REF. LOW PRESS. LINE
- REF. HIGH PRESS. LINE

△									
△									
△									
△									
△	2020. 09. 16.	PARTS NUMBER DELETE							
△	2018. 11. 26.	ISSUED FOR REFERENCE							
REV.	DATE	DESCRIPTION	ENG	CHK	APPO	APPO	APPO	APPO	
PROJECT									
MANUFACTURER									
 <small>Global Standard Air & Gas</small>									
TITLE									
PIPING & INSTRUMENTATION DRAWING									
ITEM NO.	HYD-ZON	DWG NO.		REV.					
SCALE	NONE	GSA-HYD-0020N-02		△					
(A4 : 297mm x 210mm)									

E0-N0200-QAH-VSS
ON DWG



POWER SOURCE		
AC 220V, 1Ph, 60Hz		
7	PS FAN CONTROLLER	
6	C. OL REF. COMPRESSOR OVERLOAD	
5	SW START SWITCH	
4	C1 RUNNING CAPACITOR	
3	R RELAY	
2	M2 FAN MOTOR	
1	M1 REF. COMPRESSOR	
NO.	SYMBOL	DESCRIPTION

REV.	DATE	DESCRIPTION	DWG	CHK	APPD	APPD
2018. 11. 26		ISSUED FOR REFERENCE				

PROJECT -

MANUFACTURER
GSA
Global Standard Air & Gas

TITLE
WIRING DRAWING

ITEM NO.	HYD-ZON	DWG NO.	REV.
	NONE	GSA-HYD-0020N-03	

(A4 : 297mm x 210mm)