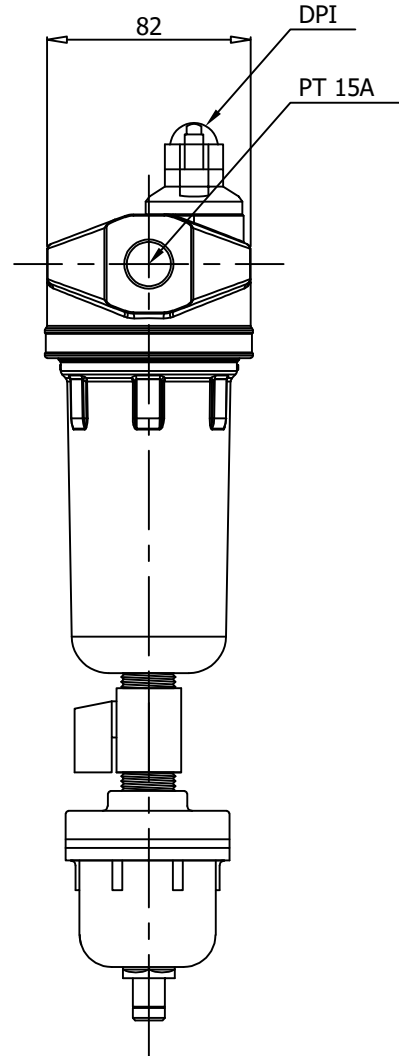
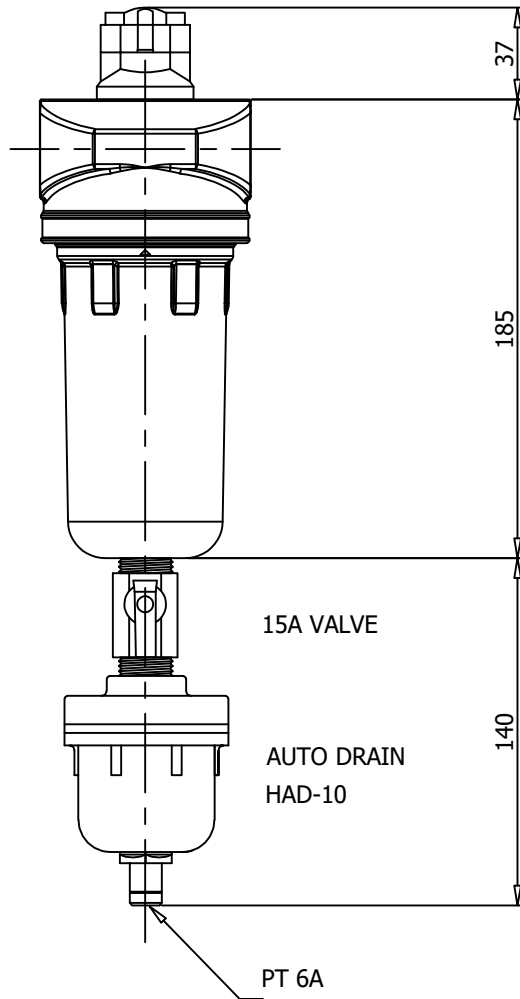
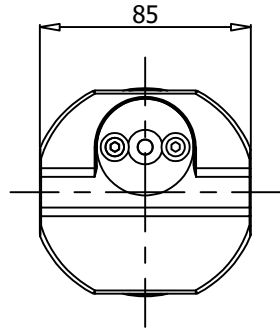

	<b>Air Filter</b>	Rev.	Date	Prepared By	Checked By	Approved By
		1	2019.09.20	LEE.S.M.	JO.S.J.	KIM.H.W.
	<b>Particulate Type</b>	2	2020.09.23	WOO.I.H.	JO.S.J.	KIM.H.W.
		3				
4						


Project Name	-	Model Name	HYF-40-15AN
--------------	---	------------	-------------

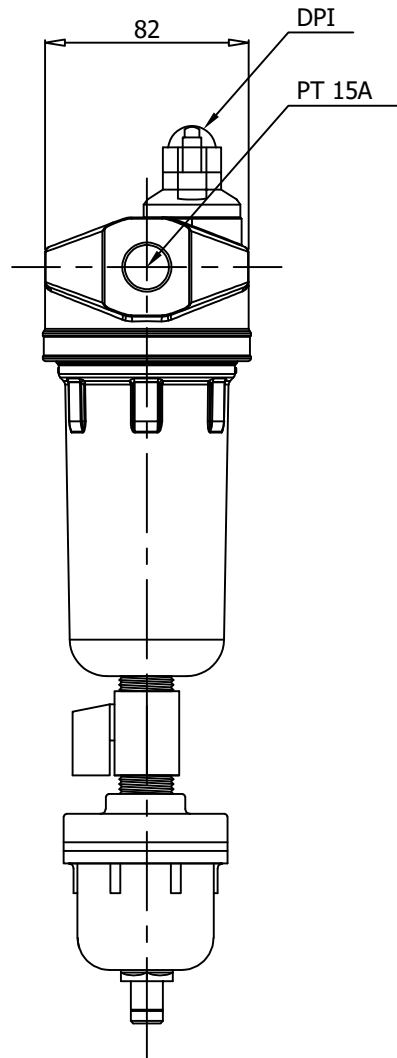
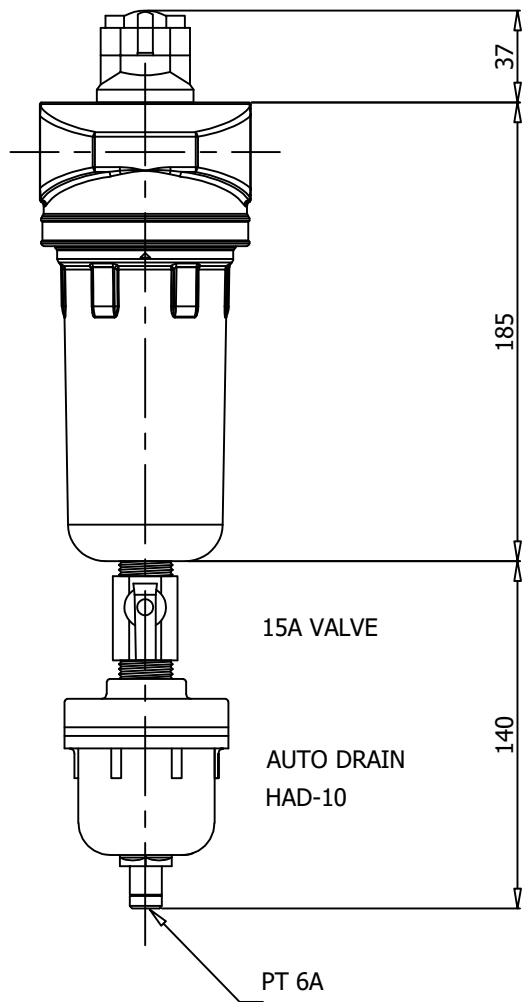
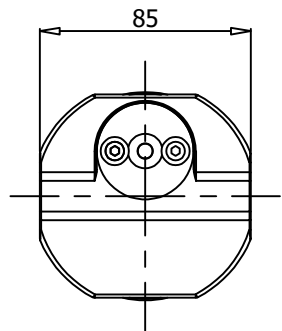
<b>SPECIFICATION</b>						
2	Element Type	Particulate		Inlet Flow Rate	0.8	Nm3/min
3	Element Quantity	1	EA	Inlet Pressure	7	barg
4	Element Filtration	40	micron	Inlet Temp.	38	°C
5		-	ppm	Outlet Flow Rate	0.8	Nm3/min
6	Element Design Temp.	65	°C	Outlet Pressure	6.8	barg
7	Flow Direction	Outside to Inside		Outlet Temp.	38	°C
8	Design Code	Maker STD.		Pressure Drop	0.2	bar
9	Auto Drain	HAD-10		Design Pressure	14	barg
10				Design Temperature	100	°C
<b>CONSTRUCTION</b>						
12	Inlet Connection	15A	PT Female Screw	Dimension (W x L)	85 X 185	mm
13	Outlet Connection	15A	PT Female Screw	Weight	0.8	kg
14	Drain Connection	15A	PT Female Screw	Color (Munsell)	5.7PB 4.1/9.9	
<b>MATERIALS</b>						
16	Head	ALDC				
17	Bowl	ALDC				
18	O-Ring	N.B.R.				
19	Element	Polyethylene				
20						
21						
<b>STANDRAD FEATURES AND CONTROL</b>						
23	Pressure Gauge	NO				
24	Differential Indicator	YES				
25	Differential Transmitter	NO				
26	Auto Drain	YES				
<b>NOTES</b>						
28						
29						
30						
31						
32						
33						
34						
35						
36						
37						
38						
39						
40						
41						
42						
43						
44						
45						




MODEL	HYF-40-15AN
CAPACITY	0.8 Nm <sup>3</sup> /min
INLET AIR TEMPERATURE	MAX. 65 °C
MAX. INLET AIR PRESSURE	14 barg
ELEMENT TYPE	PARTICULATE
FILTRATION	40 MICRON
IN/OUT CONNECTION	PT 15A
FLOW DIRECTION	OUTSIDE TO INSIDE

REV. NO.	DATE	DESCRIPTION	DWG.	CHK.	APPD.	APPD.	APPD.	
△	2020.09.24	ISSUED FOR PROPOSAL						
PROJECT								
MANUFACTURER								
								
TITLE								
HYF-40-15AN OUTLINE								
ITEM NO.	HYF-15AN	DWG NO.	GSA-HYF-015AN-01				REV.	△
SCALE	NONE							

	<b>Air Filter</b>		Rev.	Date	Prepared By	Checked By	Approved By
			1	2019.09.20	LEE.S.M.	JO.S.J.	KIM.H.W.
	<b>Particulate Type</b>		2	2020.09.23	WOO.I.H.	JO.S.J.	KIM.H.W.
			3				
4							
Project Name			-		Model Name		HYF-5-15AN
<b>SPECIFICATION</b>							
2	Element Type	Particulate		Inlet Flow Rate	0.8	Nm3/min	
3	Element Quantity	1	EA	Inlet Pressure	7	barg	
4	Element Filtration	5	micron	Inlet Temp.	38	°C	
5		-	ppm	Outlet Flow Rate	0.8	Nm3/min	
6	Element Design Temp.	65	°C	Outlet Pressure	6.8	barg	
7	Flow Direction	Outside to Inside		Outlet Temp.	38	°C	
8	Design Code	Maker STD.		Pressure Drop	0.2	bar	
9	Auto Drain	HAD-10		Design Pressure	14	barg	
10				Design Temperature	100	°C	
<b>CONSTRUCTION</b>							
12	Inlet Connection	15A	PT Female Screw	Dimension (W x L)	85 X 185	mm	
13	Outlet Connection	15A	PT Female Screw	Weight	0.8	kg	
14	Drain Connection	15A	PT Female Screw	Color (Munsell)	5.7PB 4.1/9.9		
<b>MATERIALS</b>							
16	Head	ALDC					
17	Bowl	ALDC					
18	O-Ring	N.B.R.					
19	Element	Polyethylene					
20							
21							
<b>STANDRAD FEATURES AND CONTROL</b>							
23	Pressure Gauge	NO					
24	Differential Indicator	YES					
25	Differential Transmitter	NO					
26	Auto Drain	YES					
<b>NOTES</b>							
28							
29							
30							
31							
32							
33							
34							
35							
36							
37							
38							
39							
40							
41							
42							
43							
44							
45							



MODEL	HYF-5-15AN
CAPACITY	0.8 Nm <sup>3</sup> /min
INLET AIR TEMPERATURE	MAX. 65 °C
MAX. INLET AIR PRESSURE	14 barg
ELEMENT TYPE	PARTICULATE
FILTRATION	5 MICRON
IN/OUT CONNECTION	PT 15A
FLOW DIRECTION	OUTSIDE TO INSIDE

REV. NO.	DATE	DESCRIPTION	DWG.	CHK.	APPD.	APPD.	APPD.	
△	2020.09.24	ISSUED FOR PROPOSAL						
PROJECT								
MANUFACTURER								
								
TITLE								
HYF-5-15AN OUTLINE								
ITEM NO.	HYF-15AN	DWG NO.	GSA-HYF-015AN-02				REV.	△
SCALE	NONE							



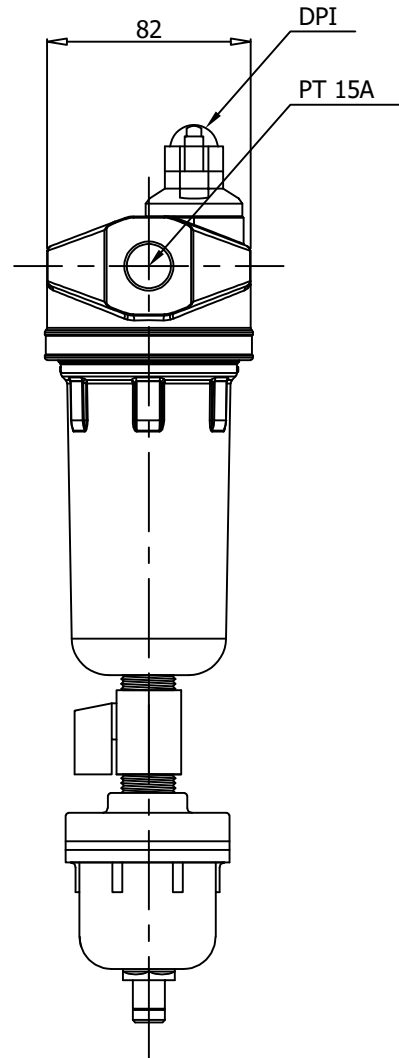
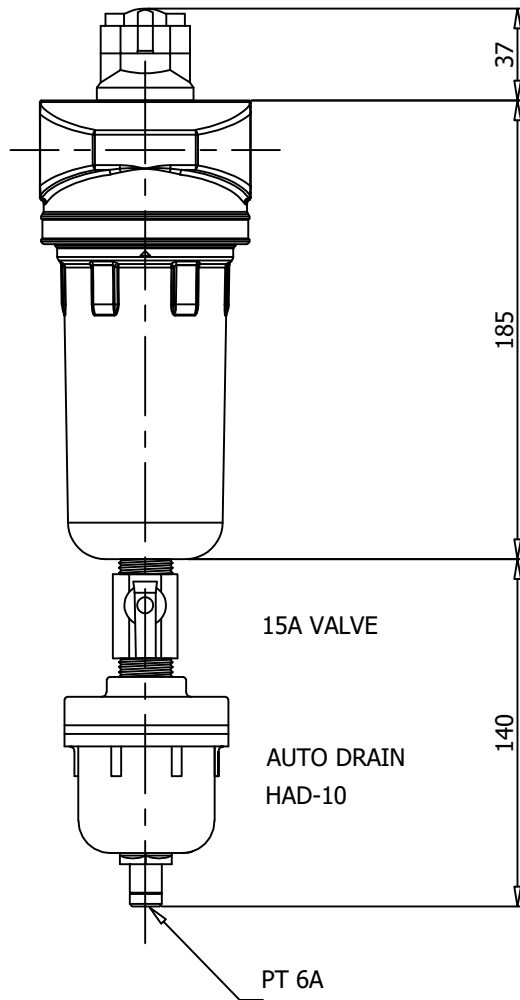
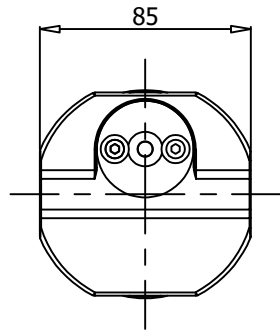
## Air Filter

### Coalescer Type



Rev.	Date	Prepared By	Checked By	Approved By
1	2019.09.20	LEE.S.M.	JO.S.J.	KIM.H.W.
2	2020.09.23	WOO.I.H.	JO.S.J.	KIM.H.W.
3				
4				

Project Name	-	Model Name	HYF-1-15AN
--------------	---	------------	------------

SPECIFICATION					
2	Element Type	Coalescer		Inlet Flow Rate	0.8 Nm3/min
3	Element Quantity	1	EA	Inlet Pressure	7 barg
4	Element Filtration	1	micron	Inlet Temp.	38 °C
5		1	ppm	Outlet Flow Rate	0.8 Nm3/min
6	Element Design Temp.	54	°C	Outlet Pressure	6.8 barg
7	Flow Direction	Inside to Outside		Outlet Temp.	38 °C
8	Design Code	Maker STD.		Pressure Drop	0.2 bar
9	Auto Drain	HAD-10		Design Pressure	14 barg
10				Design Temperature	100 °C
CONSTRUCTION					
12	Inlet Connection	15A	PT Female Screw	Dimension (W x L)	85 X 185 mm
13	Outlet Connection	15A	PT Female Screw	Weight	0.8 kg
14	Drain Connection	15A	PT Female Screw	Color (Munsell)	5.7PB 4.1/9.9
MATERIALS					
16	Head	ALDC			
17	Bowl	ALDC			
18	O-Ring	N.B.R.			
19	Element	Borosilicate			
20					
21					
STANDRAD FEATURES AND CONTROL					
23	Pressure Gauge	NO			
24	Differential Indicator	YES			
25	Differential Transmitter	NO			
26	Auto Drain	YES			
NOTES					
28					
29					
30					
31					
32					
33					
34					
35					
36					
37					
38					
39					
40					
41					
42					
43					
44					
45					



MODEL	HYF-1-15AN
CAPACITY	0.8 Nm <sup>3</sup> /min
INLET AIR TEMPERATURE	MAX. 54 °C
MAX. INLET AIR PRESSURE	14 barg
ELEMENT TYPE	COALESCER
FILTRATION	1 MICRON
	1 PPM
IN/OUT CONNECTION	PT 15A
FLOW DIRECTION	INSIDE TO OUTSIDE

REV. NO.	DATE	DESCRIPTION	DWG.	CHK.	APPD.	APPD.
1	2020.09.24	ISSUED FOR PROPOSAL				
PROJECT						
MANUFACTURER						
						
TITLE						
HYF-1-15AN OUTLINE						
ITEM NO.	HYF-15AN	DWG NO.	GSA-HYF-015AN-03			REV.
SCALE	NONE					



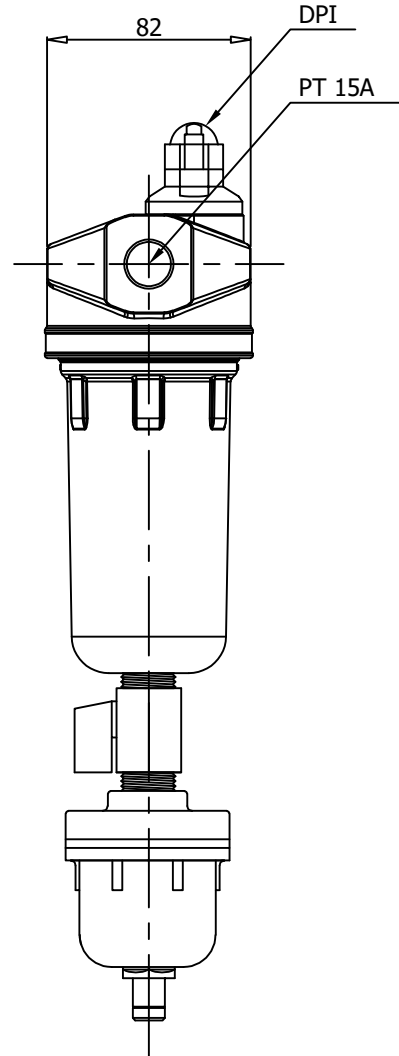
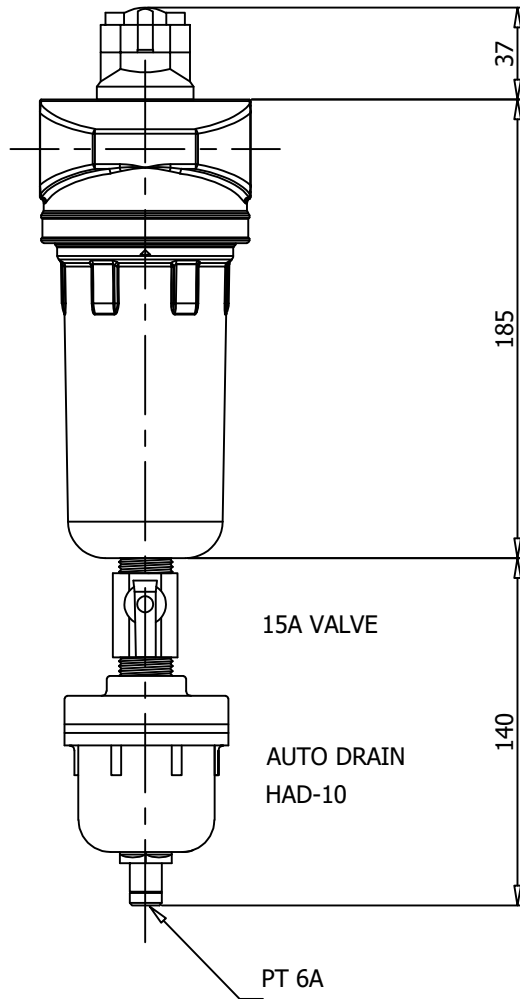
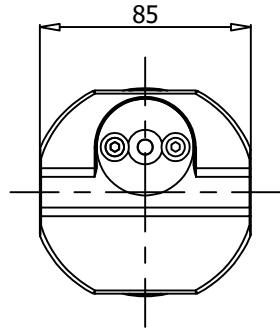
## Air Filter

### Coalescer Type


Rev.	Date	Prepared By	Checked By	Approved By
1	2019.09.20	LEE.S.M.	JO.S.J.	KIM.H.W.
2	2020.09.23	WOO.I.H.	JO.S.J.	KIM.H.W.
3				
4				

Project Name	-	Model Name	HYF-0.1-15AN
--------------	---	------------	--------------


SPECIFICATION					
2	Element Type	Coalescer		Inlet Flow Rate	0.8 Nm3/min
3	Element Quantity	1	EA	Inlet Pressure	7 barg
4	Element Filtration	1	micron	Inlet Temp.	38 °C
5		0.1	ppm	Outlet Flow Rate	0.8 Nm3/min
6	Element Design Temp.	54	°C	Outlet Pressure	6.8 barg
7	Flow Direction	Inside to Outside		Outlet Temp.	38 °C
8	Design Code	Maker STD.		Pressure Drop	0.2 bar
9	Auto Drain	HAD-10		Design Pressure	14 barg
10				Design Temperature	100 °C
CONSTRUCTION					
12	Inlet Connection	15A	PT Female Screw	Dimension (W x L)	85 X 185 mm
13	Outlet Connection	15A	PT Female Screw	Weight	0.8 kg
14	Drain Connection	15A	PT Female Screw	Color (Munsell)	5.7PB 4.1/9.9
MATERIALS					
16	Head	ALDC			
17	Bowl	ALDC			
18	O-Ring	N.B.R.			
19	Element	Borosilicate			
20					
21					
STANDRAD FEATURES AND CONTROL					
23	Pressure Gauge	NO			
24	Differential Indicator	YES			
25	Differential Transmitter	NO			
26	Auto Drain	YES			
NOTES					
28					
29					
30					
31					
32					
33					
34					
35					
36					
37					
38					
39					
40					
41					
42					
43					
44					
45					



MODEL	HYF-0.1-15AN
CAPACITY	0.8 Nm <sup>3</sup> /min
INLET AIR TEMPERATURE	MAX. 54 °C
MAX. INLET AIR PRESSURE	14 barg
ELEMENT TYPE	COALESCER
FILTRATION	1 MICRON
	0.1 PPM
IN/OUT CONNECTION	PT 15A
FLOW DIRECTION	INSIDE TO OUTSIDE

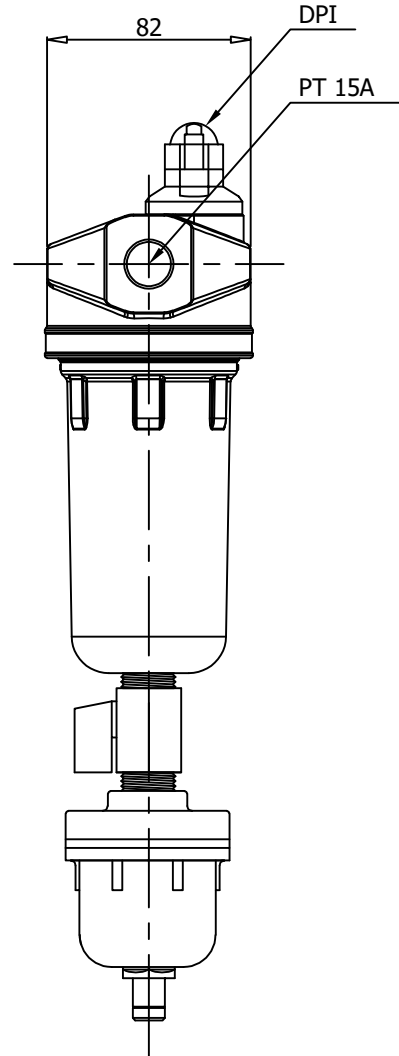
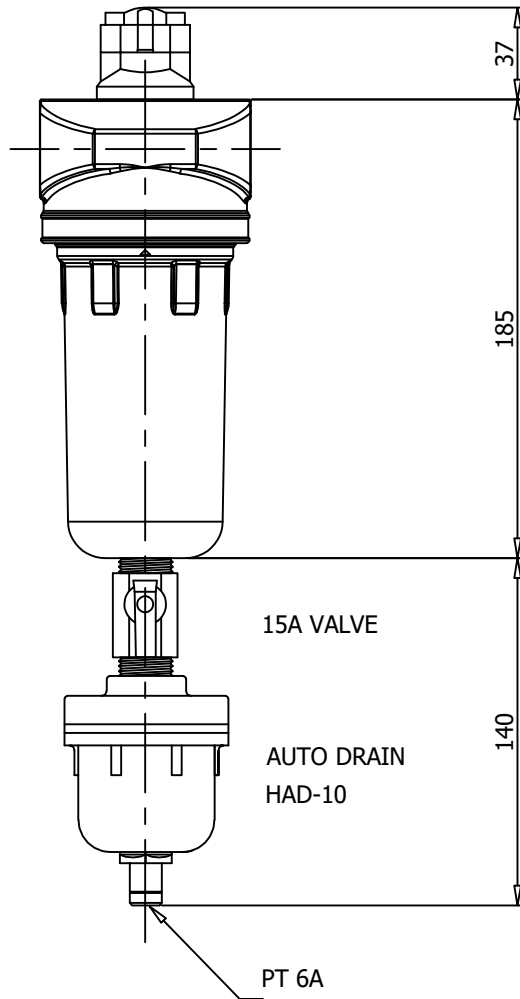
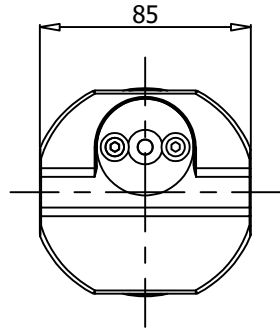
REV. NO.	DATE	DESCRIPTION	DWG.	CHK.	APPD.	APPD.
△	2020.09.24	ISSUED FOR PROPOSAL				
PROJECT						
MANUFACTURER						
						
TITLE						
HYF-0.1-15AN OUTLINE						
ITEM NO.	HYF-15AN	DWG NO.	GSA-HYF-015AN-04			REV. △
SCALE	NONE					




	<b>Air Filter</b>	Rev.	Date	Prepared By	Checked By	Approved By
		1	2019.09.20	LEE.S.M.	JO.S.J.	KIM.H.W.
	<b>Coalescer Type</b>	2	2020.09.23	WOO.I.H.	JO.S.J.	KIM.H.W.
		3				
4						


Project Name	-	Model Name	HYF-0.01-15AN
--------------	---	------------	---------------

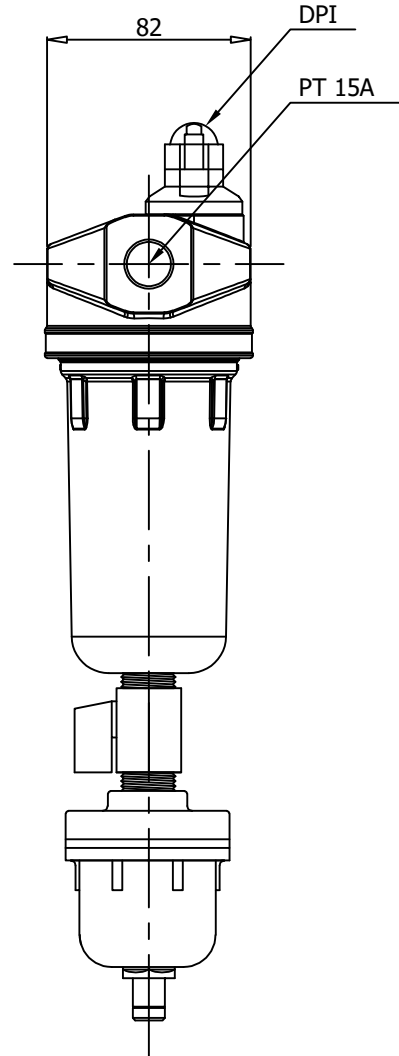
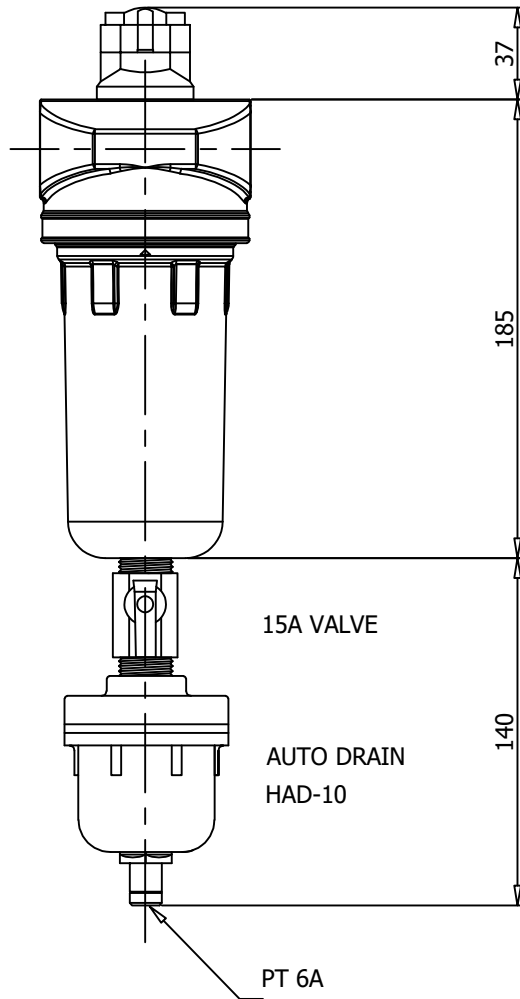
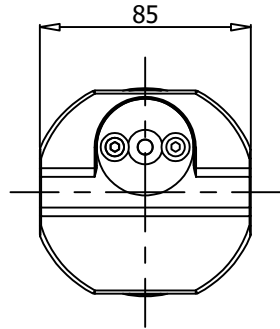
1	<b>SPECIFICATION</b>				
2	Element Type	Coalescer		Inlet Flow Rate	0.8 Nm3/min
3	Element Quantity	1	EA	Inlet Pressure	7 barg
4	Element Filtration	1	micron	Inlet Temp.	38 °C
5		0.01	ppm	Outlet Flow Rate	0.8 Nm3/min
6	Element Design Temp.	54	°C	Outlet Pressure	6.8 barg
7	Flow Direction	Inside to Outside		Outlet Temp.	38 °C
8	Design Code	Maker STD.		Pressure Drop	0.2 bar
9	Auto Drain	HAD-10		Design Pressure	14 barg
10				Design Temperature	100 °C
11	<b>CONSTRUCTION</b>				
12	Inlet Connection	15A	PT Female Screw	Dimension (W x L)	85 X 185 mm
13	Outlet Connection	15A	PT Female Screw	Weight	0.8 kg
14	Drain Connection	15A	PT Female Screw	Color (Munsell)	5.7PB 4.1/9.9
15	<b>MATERIALS</b>				
16	Head	ALDC			
17	Bowl	ALDC			
18	O-Ring	N.B.R.			
19	Element	Borosilicate			
20					
21					
22	<b>STANDRAD FEATURES AND CONTROL</b>				
23	Pressure Gauge	NO			
24	Differential Indicator	YES			
25	Differential Transmitter	NO			
26	Auto Drain	YES			
27	<b>NOTES</b>				
28					
29					
30					
31					
32					
33					
34					
35					
36					
37					
38					
39					
40					
41					
42					
43					
44					
45					




MODEL	HYF-0.01-15AN
CAPACITY	0.8 Nm <sup>3</sup> /min
INLET AIR TEMPERATURE	MAX. 54 °C
MAX. INLET AIR PRESSURE	14 barg
ELEMENT TYPE	COALESCER
FILTRATION	1 MICRON
	0.01 PPM
IN/OUT CONNECTION	PT 15A
FLOW DIRECTION	INSIDE TO OUTSIDE

REV. NO.	DATE	DESCRIPTION	DWG.	CHK.	APPD.	APPD.
△	2020.09.24	ISSUED FOR PROPOSAL				
PROJECT						
MANUFACTURER						
						
TITLE						
HYF-0.01-15AN OUTLINE						
ITEM NO.	HYF-15AN	DWG NO.	GSA-HYF-015AN-05			REV. △
SCALE	NONE					

	<b>Air Filter</b>		Rev.	Date	Prepared By	Checked By	Approved By
			1	2019.09.20	LEE.S.M.	JO.S.J.	KIM.H.W.
	<b>Coalescer Type</b>		2	2020.09.23	WOO.I.H.	JO.S.J.	KIM.H.W.
			3				
4							
Project Name			-		Model Name		HYF-0.01F-15AN
<b>SPECIFICATION</b>							
2	Element Type	Coalescer		Inlet Flow Rate	0.8	Nm3/min	
3	Element Quantity	1	EA	Inlet Pressure	7	barg	
4	Element Filtration	1	micron	Inlet Temp.	38	°C	
5		0.01	ppm	Outlet Flow Rate	0.8	Nm3/min	
6	Element Design Temp.	54	°C	Outlet Pressure	6.8	barg	
7	Flow Direction	Inside to Outside		Outlet Temp.	38	°C	
8	Design Code	Maker STD.		Pressure Drop	0.2	bar	
9	Auto Drain	HAD-10		Design Pressure	14	barg	
10				Design Temperature	100	°C	
<b>CONSTRUCTION</b>							
12	Inlet Connection	15A	PT Female Screw	Dimension (W x L)	85 X 185	mm	
13	Outlet Connection	15A	PT Female Screw	Weight	0.8	kg	
14	Drain Connection	15A	PT Female Screw	Color (Munsell)	5.7PB 4.1/9.9		
<b>MATERIALS</b>							
16	Head	ALDC					
17	Bowl	ALDC					
18	O-Ring	N.B.R.					
19	Element	Borosilicate					
20							
21							
<b>STANDRAD FEATURES AND CONTROL</b>							
23	Pressure Gauge	NO					
24	Differential Indicator	YES					
25	Differential Transmitter	NO					
26	Auto Drain	YES					
<b>NOTES</b>							
28	- Added Carbon Layer						
29							
30							
31							
32							
33							
34							
35							
36							
37							
38							
39							
40							
41							
42							
43							
44							
45							



MODEL	HYF-0.01F-15AN
CAPACITY	0.8 Nm <sup>3</sup> /min
INLET AIR TEMPERATURE	MAX. 54 °C
MAX. INLET AIR PRESSURE	14 barg
ELEMENT TYPE	COALESCER
FILTRATION	1 MICRON
	0.01 PPM(Carbon Layer)
IN/OUT CONNECTION	PT 15A
FLOW DIRECTION	INSIDE TO OUTSIDE

REV. NO.	DATE	DESCRIPTION	DWG.	CHK.	APPD.	APPD.
△	2020.09.24	ISSUED FOR PROPOSAL				
PROJECT						
MANUFACTURER						
						
TITLE						
HYF-0.01F-15AN OUTLINE						
ITEM NO.	HYF-15AN	DWG NO.	GSA-HYF-015AN-06			REV. △
SCALE	NONE					